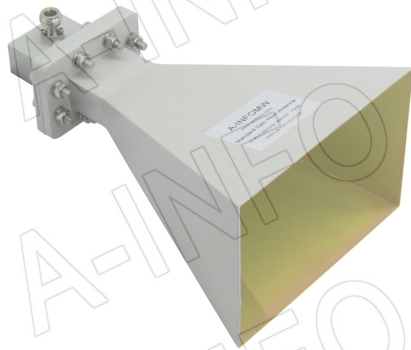


For reference only. See data sheet for the detailed specifications.

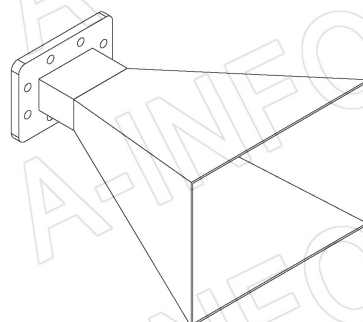
Technical Specification



Frequency Range(GHz)	3.95 – 5.85
Waveguide	WR187
Gain(dBi)	15 Typ.
Polarization	Linear
3dB Beamwidth(deg)	E Plane: 26 Typ.
	H Plane: 24 Typ.
Cross Pol. Isolation(dB)	40 Typ.
VSWR	A Type: 1.15:1 Typ.
	C Type: 1.25:1 Typ.
Output	A Type: FDP48(UDR48) N-Female or SMA-Female
	C Type: or TNC-Female or 7mm or 3.5mm-Female
Material	Al
Finish	Chemical Conversion Coating, Gray Paint
Size(mm)	A Type: 168 x 118 x 210
	C Type: 168 x 118 x 264
Net Weight(Kg)	A Type: 0.40 Around
	C Type: 0.60 Around

Outline Drawing (Size: mm)

FDP48 Output (P/N: LB-187-15-A)



AINFO Inc.

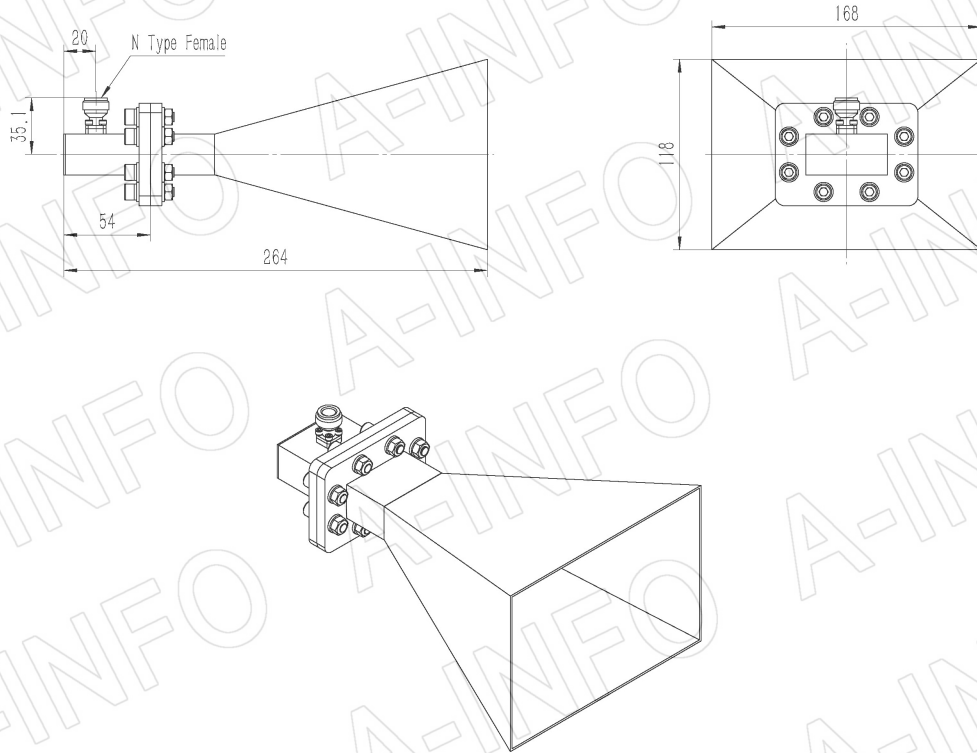
China(Beijing): Tel: (+86) 10-6266-7326,
China(Chengdu): Tel: (+86) 28-8519-2786,
USA : Tel: (+1) 949-639-9688,

(+86) 10-6266-7327 Fax: (+86) 10-6266-7379
(+86) 28-8519-3044 Fax: (+86) 28-8519-3068
(+1) 949-639-9608 Fax: (+1) 949-639-9670

Website: www.ainfoinc.com
Email: sales@ainfoinc.com

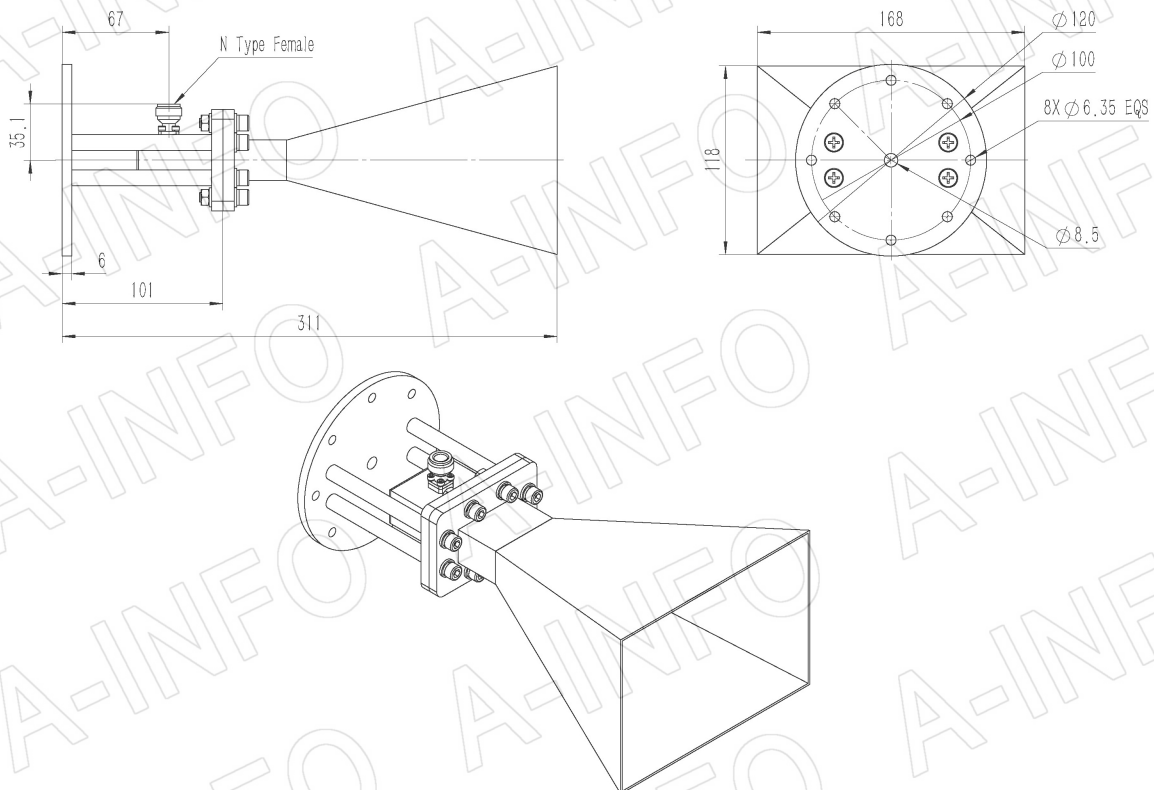
N-Female Output (P/N: LB-187-15-C-NF)

For SMA-Female, TNC-Female, 7mm or 3.5mm-Female output outline drawing, please contact A-INFO.



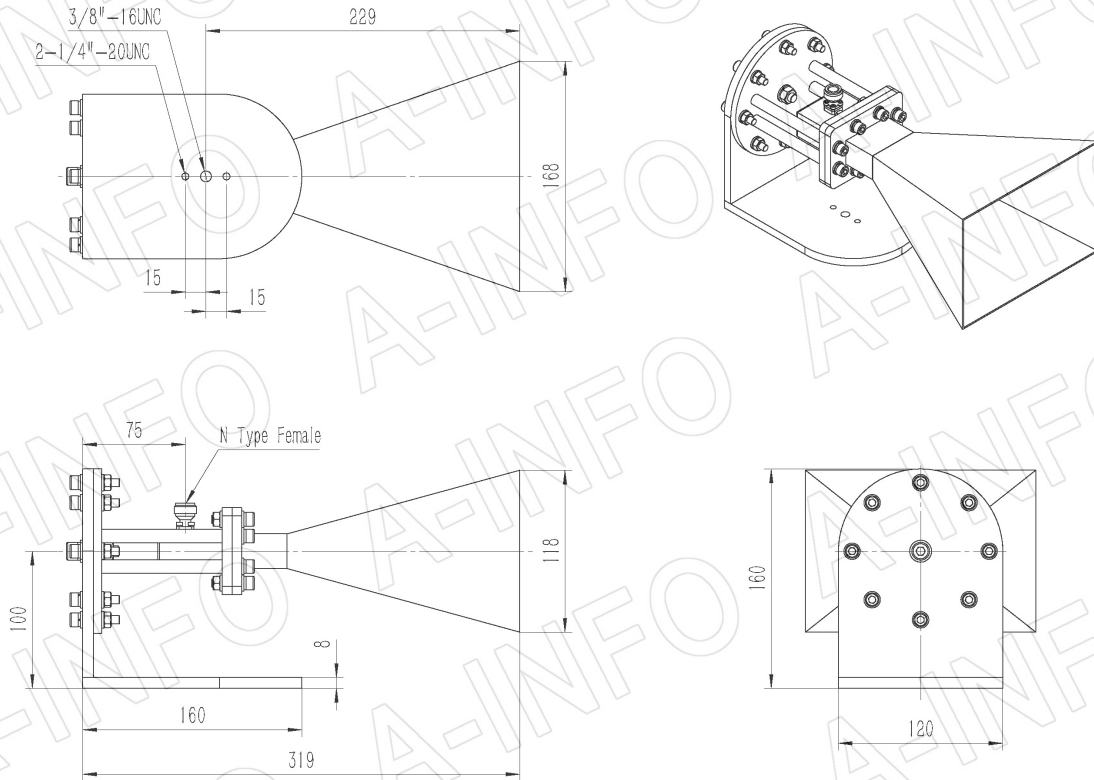
N-Female Output with Round Mounting Bracket (Option, P/N: LB-187-10-C-MB)

For SMA-Female, TNC-Female, 7mm or 3.5mm-Female output outline drawing, please contact A-INFO.

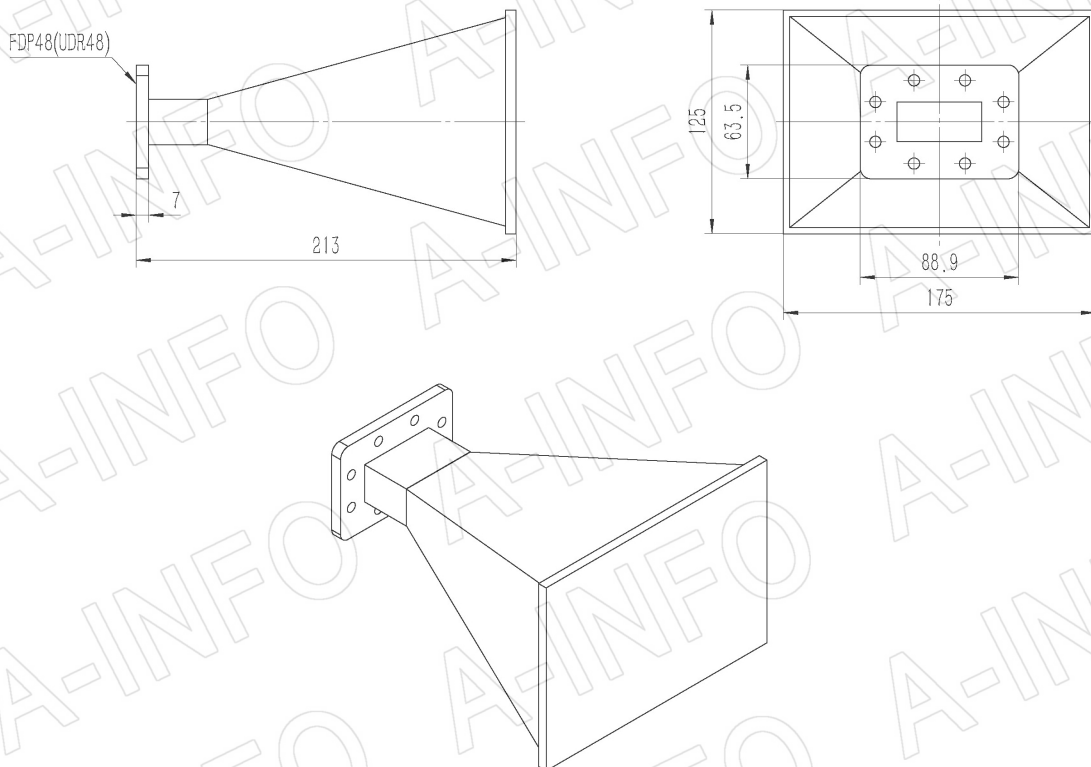


N-Female Output with L Type Mounting Bracket (Option, P/N: LB-187-10-C-MBL)

For SMA-Female, TNC-Female, 7mm or 3.5mm-Female output outline drawing, please contact A-INFO.

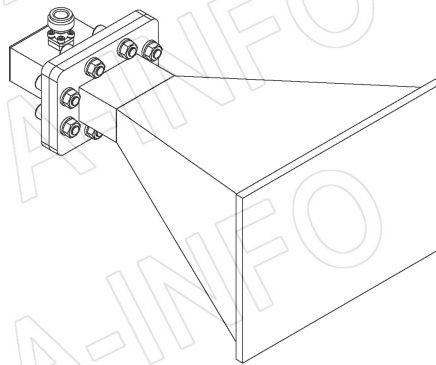
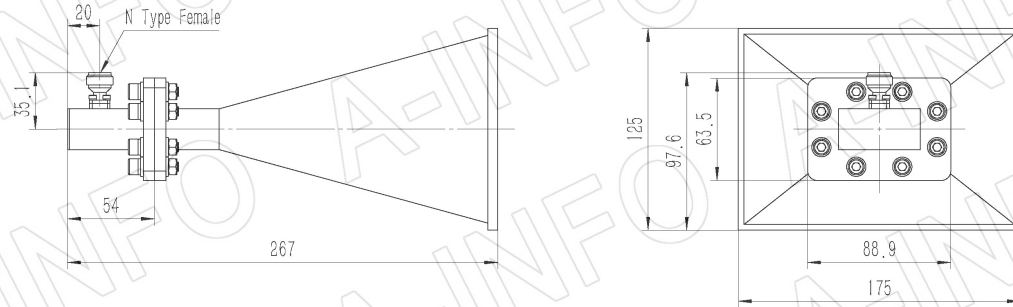


FDP48 Output with Radome (Option, P/N: LB-187-15-ASPO, Outdoor Application)



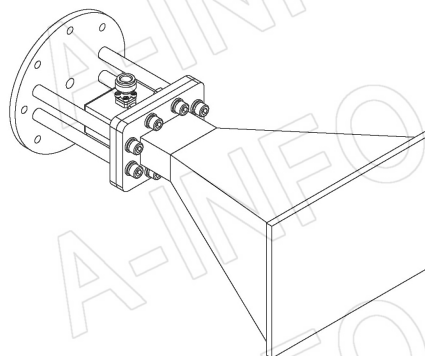
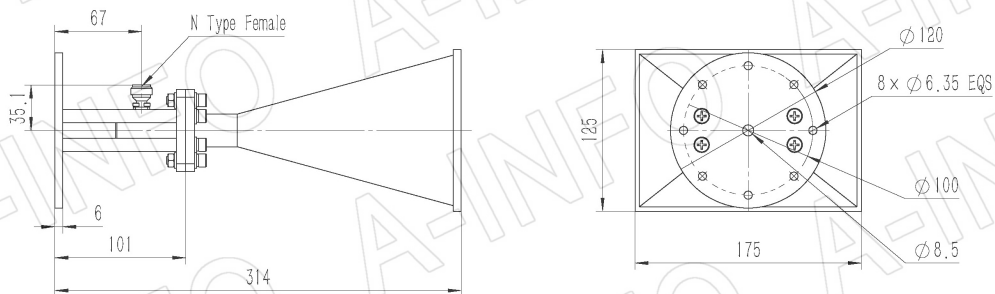
N-Female Output with Radome (Option, P/N: LB-187-15-C-NFSPO, Outdoor Application)

For SMA-Female, TNC-Female, 7mm or 3.5mm-Female output outline drawing, please contact A-INFO.



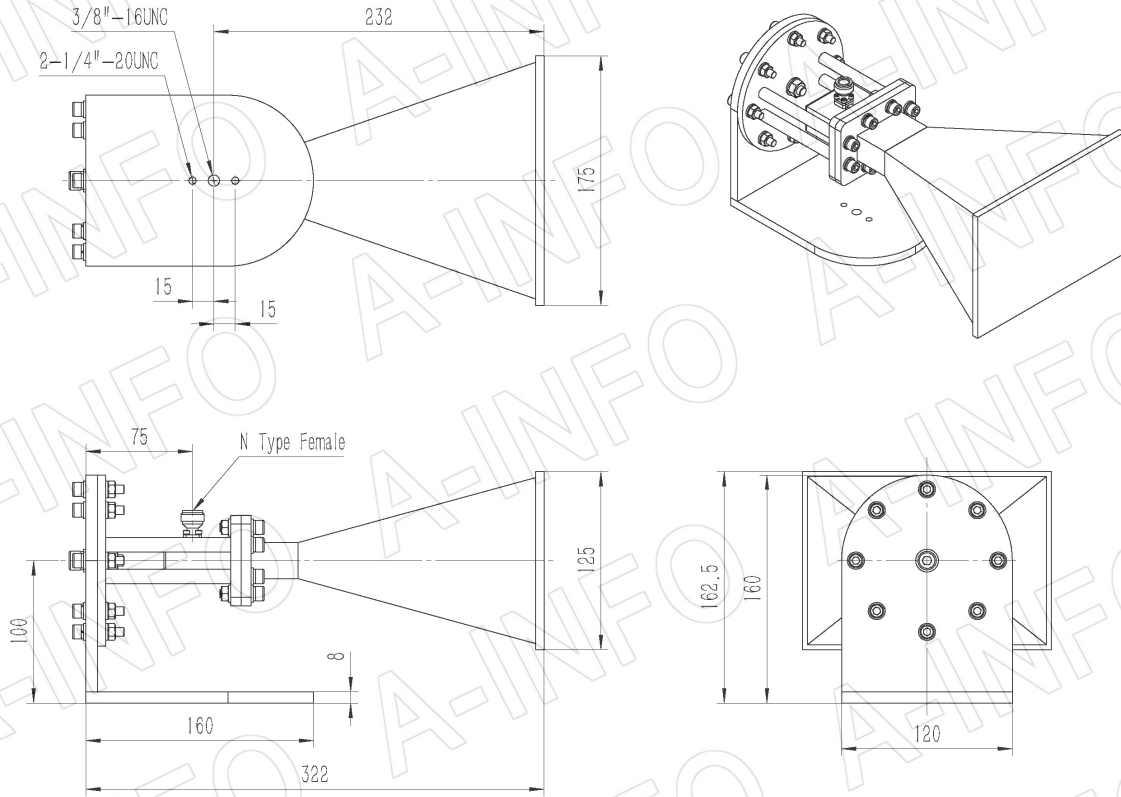
N-Female Output with Round Mounting Bracket & Radome (Option, P/N: LB-187-10-C-MB & LB-187-15-C-NFSPO, Outdoor Application)

For SMA-Female, TNC-Female, 7mm or 3.5mm-Female output outline drawing, please contact A-INFO.

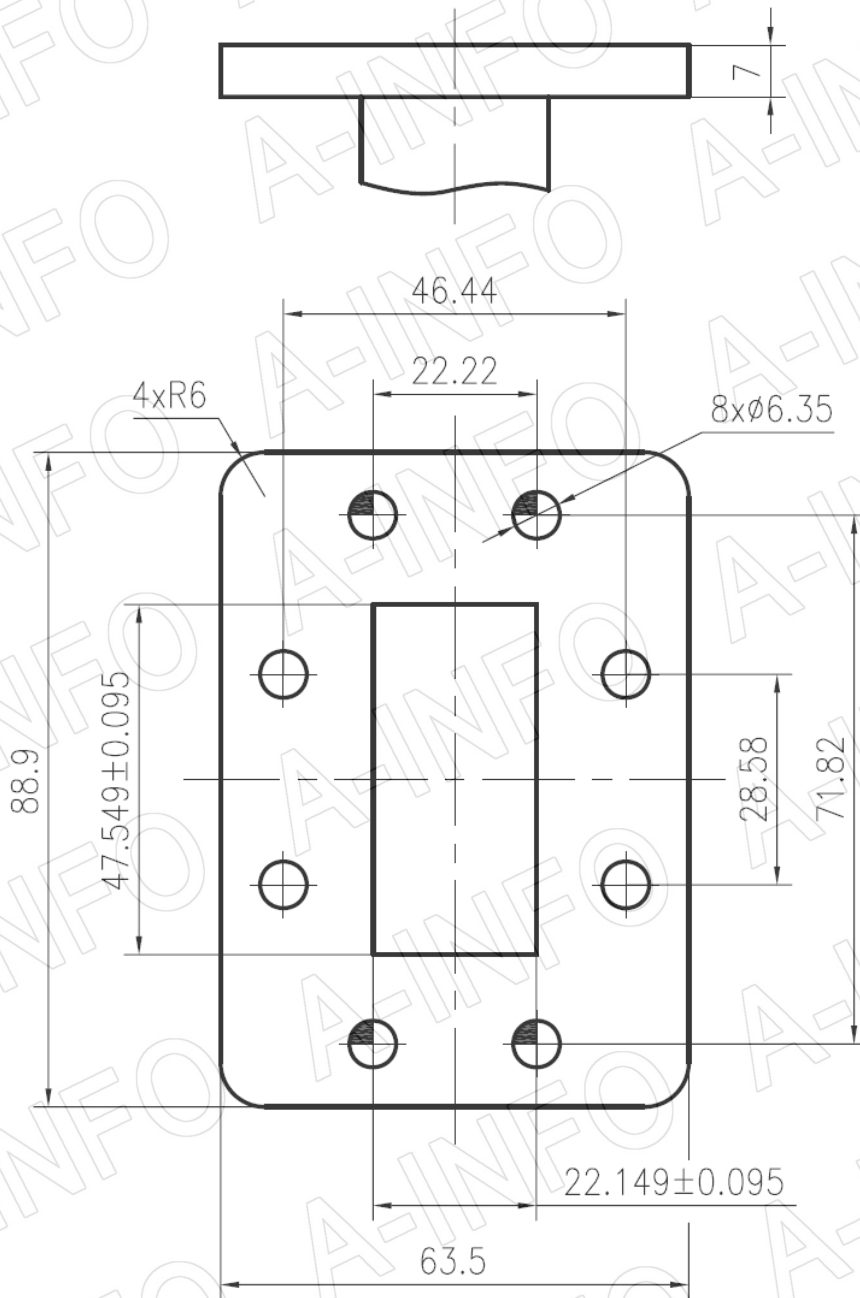


N-Female Output with L Type Mounting Bracket & Radome (Option, P/N: LB-187-10-C-MBL & LB-187-15-C-NFSP0, Outdoor Application)

For SMA-Female, TNC-Female, 7mm or 3.5mm-Female output outline drawing, please contact A-INFO.



Flange Drawing (Size: mm)



FDP48

AINFO Inc.

China(Beijing): Tel: (+86) 10-6266-7326,
 China(Chengdu): Tel: (+86) 28-8519-2786,
 USA: Tel: (+1) 949-639-9688,

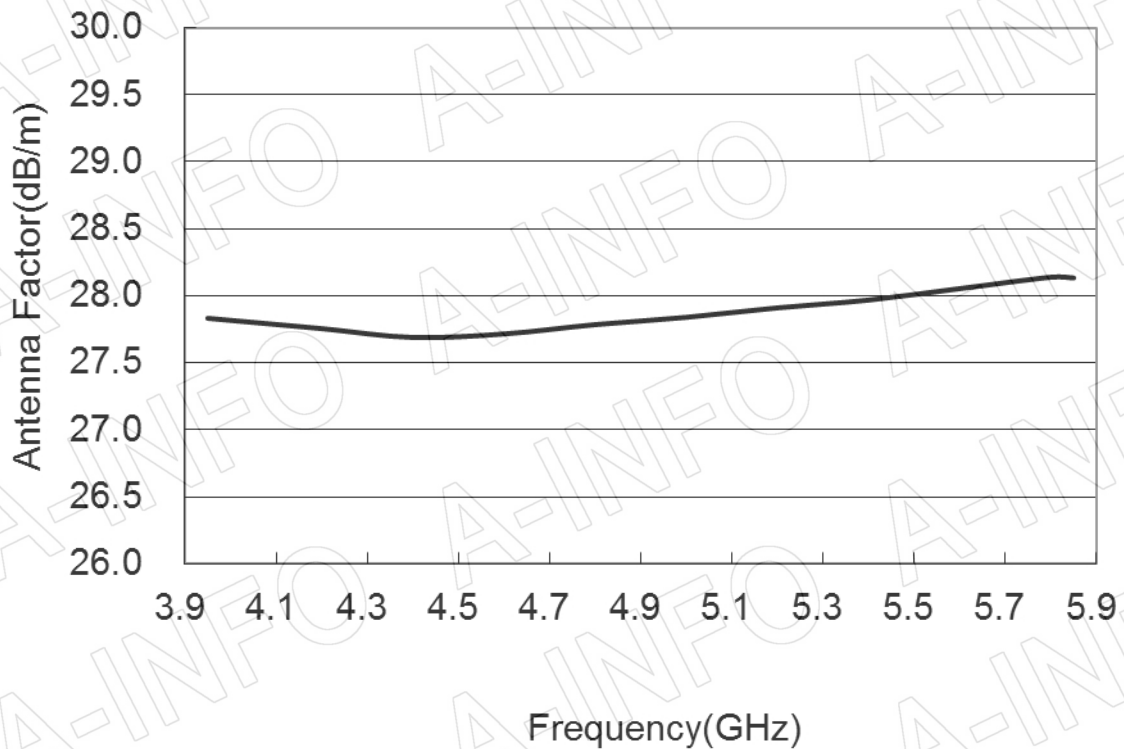
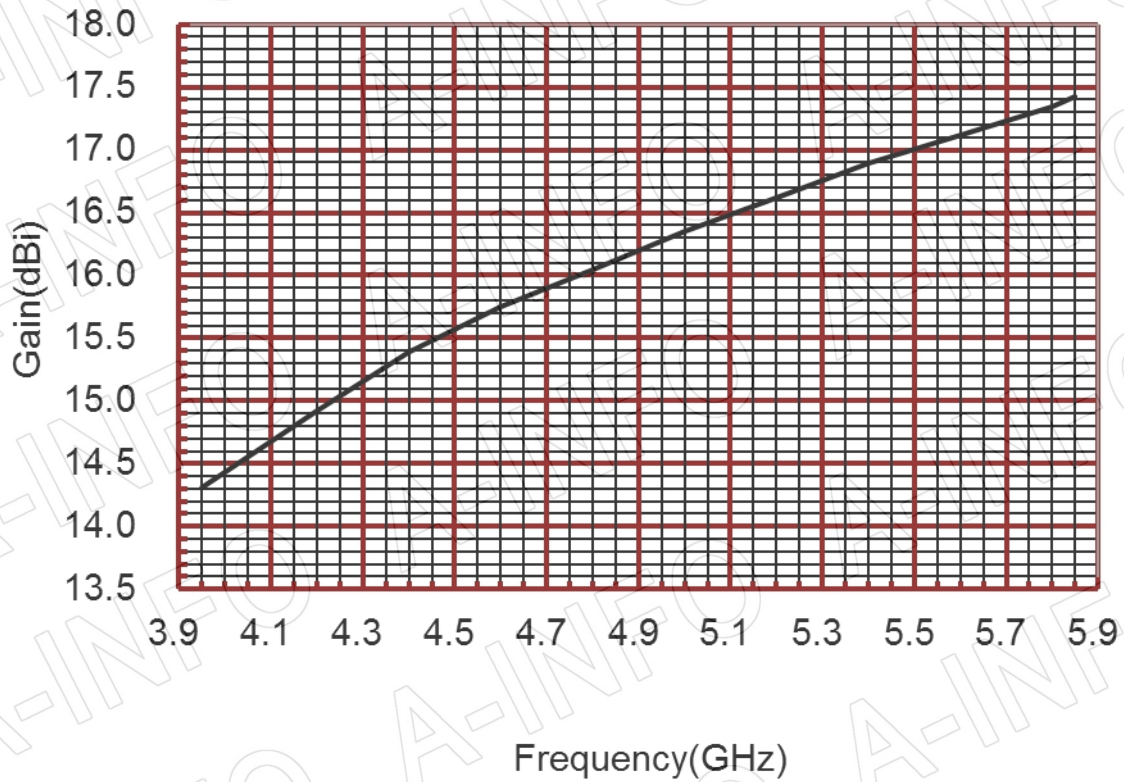
Page 6 of 10

(+86) 10-6266-7327 Fax: (+86) 10-6266-7379
 (+86) 28-8519-3044 Fax: (+86) 28-8519-3068
 (+1) 949-639-9608 Fax: (+1) 949-639-9670

Website: www.ainfoinc.com
 Email: sales@ainfoinc.com

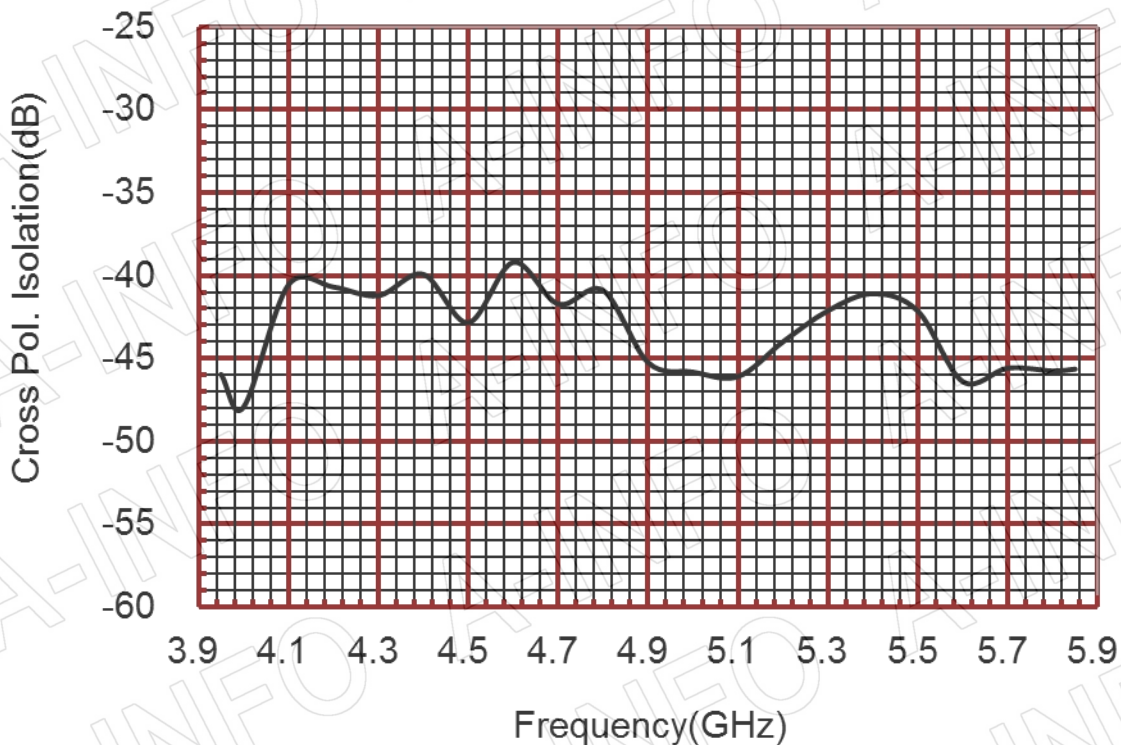
Test Results

1. Gain & Antenna Factor

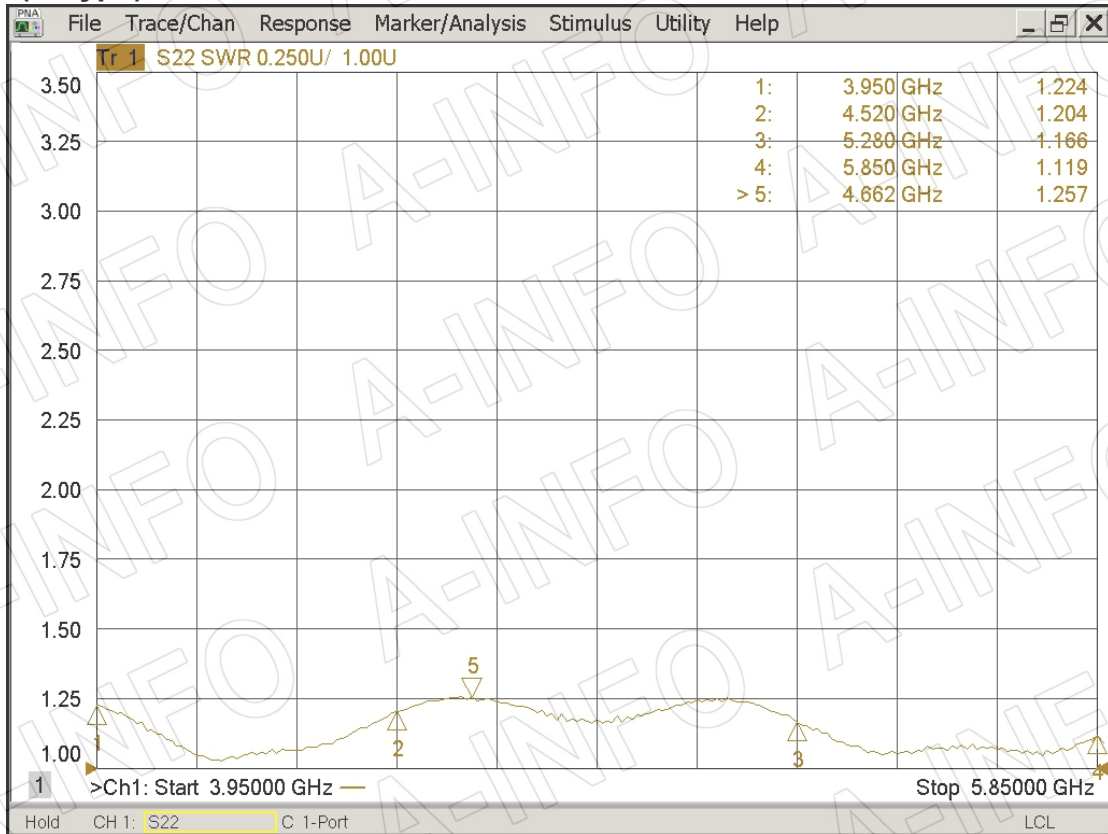


Frequency(GHz)	Gain(dBi)	Antenna Factor(dB/m)
3.95	14.31	27.83
4.20	14.92	27.75
4.40	15.39	27.69
4.60	15.75	27.72
4.80	16.05	27.78
5.00	16.35	27.84
5.20	16.62	27.91
5.40	16.89	27.97
5.60	17.12	28.05
5.80	17.34	28.14
6.00	17.61	28.16

2. Cross Polarization Isolation



3. VSWR(C Type)



4. Pattern

